

# want to know more?

## s-fold curtains

freedom 

S-fold is the contemporary new curtain system that creates perfect continuous waves in your curtain. The unique track system glides smoothly while holding each fold perfectly in place along the whole width of your curtain.

S-fold curtains have an extra long drop enabling them to be hung from the ceiling or high on the wall. The drop length can be easily adjusted in minutes.

### How do I buy S-fold curtains?

- Measure your window.
- Match your window width to the closest track size
- Choose your fabric colour and type
- Match the coloured dots on the S-fold track and S-fold curtain to ensure you have the correct fit.

Freedom S-fold colour coding system makes choosing the correct curtain size easy



fits maximum  
120cm window



fits maximum  
160cm window



fits maximum  
200cm window



fits maximum  
260cm window



fits maximum  
340cm window

### What are the fabric options?

Our range includes both sheer and blackout fabric choices.

#### sheer

- Allows natural light to filter in
- Maintains daytime privacy only
- Eliminates harsh sun glare
- Preserves external views

#### blockout

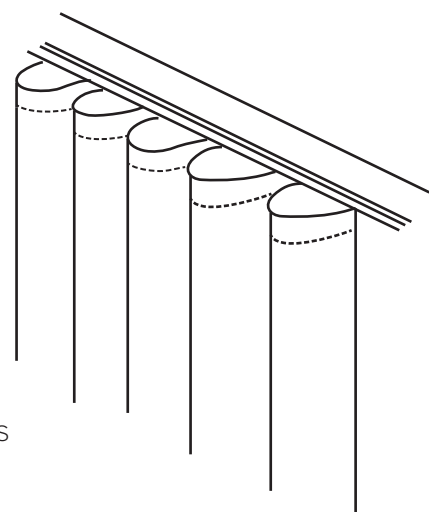
- Allows for maximum light control
- Provides insulation
- Provides maximum privacy
- Reduces noise

### How does S-fold work?

The S-fold curtain requires a specially designed track. Freedom's S-fold track system comes with everything you need for both wall and ceiling mounted curtains. Freedom's S-fold curtains are designed to perfectly fit the S-fold track system only.

### Design tips

- Remember to hang your curtains high and wide to make your windows look bigger and ceilings higher. Take this into account when measuring your curtains
- Create a luxurious hotel look by hanging Sheer and Blockout curtains on the same window using Freedom's S-fold double brackets.
- Layer Sheer S-fold curtains with Freedom's great range of Blockout roller blinds to combine style and function.



### Components and Installation

All S-fold tracks come with appropriate components and easy installation instructions.

# want to know more?

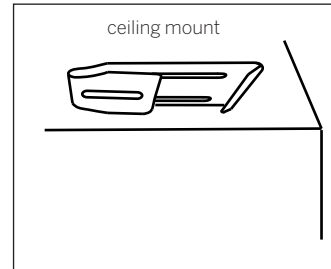
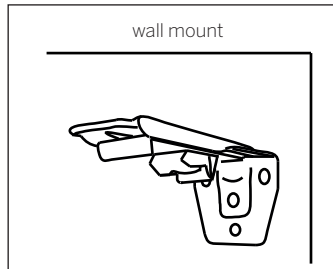
## s-fold curtains



### How to Measure

- Use a metal tape measure for accuracy. Make sure your tape measure is level.
- Specify all measurements in cm.
- Decide whether your curtain is going to be a Wall Mount or Ceiling Mount

Note: S-fold curtains can be wall mounted or ceiling mounted. Please refer to the diagrams below which demonstrate the various mounting options.



### 1. Install your track:

Once you have selected the right size track for your window, follow the detailed installation instructions in the track pack.

### 2A. Curtain drop length: using hemming tape provided

All Freedom S-fold curtains are 280cm in drop length.

Hemming tape is included in each pack and is easily applied with an iron & ironing board.

We recommend ironing and hanging your curtains for 1 week before hemming.

Carefully pin to the desired length and apply hemming tape with a medium heat iron, moving the iron constantly.

### 2B. Curtain drop length: Tailored Fit

The entire S-fold curtain range is available in our Tailored Fit program.

Follow the diagram below for accurate measurements.



### How to measure tracks

A minimum of 15cm on each side and top is recommended.

We suggest you hang your curtains as high and wide as possible.

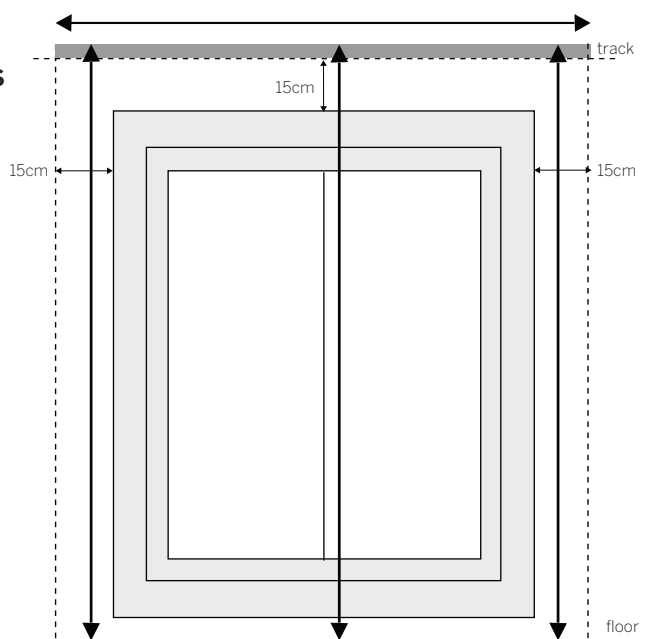
#### example:

120cm window:

Use the 140cm track

OR

Create a luxury look with a 180cm track



### How to measure curtains

- Install your S-fold track
- Measure from the **top** of the bracket to the floor.
- Repeat in 3 places
- Use the shortest measurement

note:

window frames, floors and walls are not 100% level.

\*\* DO NOT ALTER THIS MEASUREMENT.

Our Tailor Fit workshop will make any necessary adjustments.

\*\*\* Finished drop length will be 1-2cm from floor.

\*\*\*\* Tailored Fit curtains are readymade curtains altered from the bottom hem only.

**Important note:** S-fold tracks must always be installed into wall/ceiling timber studs.